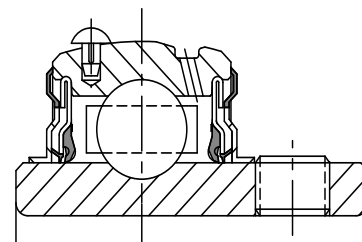
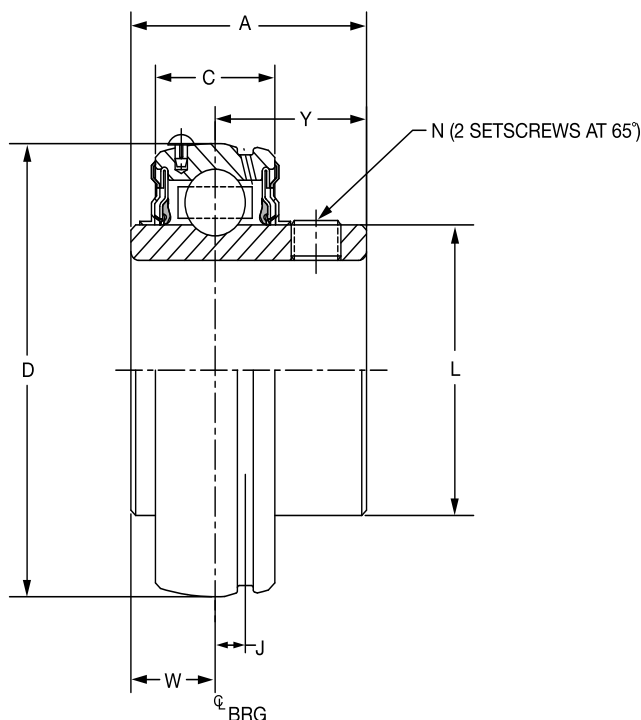


SELECTION/DIMENSIONS

Extreme Duty Setscrew Ball Bearings SCED NORMAL DUTY BEARING INSERTS



Series	Shaft Size	Standard Insert Part No.	Description	Weight Lbs kg	A	C	D	J	L	N	W	Y
204	1/2	@	INS-SCED-008L	.38	1.23	0.58	1.8504	0.15	1.12	1/4-28	0.50	0.73
	5/8	@	INS-SCED-010L	.35								
	3/4	076108	INS-SCED-012	.32								
	20mm	@	INS-SCED-20M	.16	31.2	14.7	47.000	3.8	28.4	M6x1	12.7	18.5
205	7/8	@	INS-SCED-014	.43	1.34	0.59	2.0472	0.16	1.32	1/4-28	0.56	0.78
	15/16	@	INS-SCED-015	.40								
	1	076109	INS-SCED-100	.37								
	25mm	076286	INS-SCED-25M	.18	34.0	15.0	52.000	4.1	33.5	M6x1	14.2	19.8
206	1-1/16	@	INS-SCED-101	.67	1.52	0.69	2.4409	0.16	1.57	5/16-24	0.58	0.94
	1-1/8	076110	INS-SCED-102	.63								
	1-3/16	076111	INS-SCED-103	.60								
	1-1/4	076112	INS-SCED-104S	.58								
30mm	076287	INS-SCED-30M	.27	38.6	17.5	62.000	4.1	39.9	M8x1.25	14.7	23.9	
207	1-1/4	076113	INS-SCED-104	1.02	1.71	0.75	2.8346	0.20	1.84	5/16-24	0.67	1.04
	1-5/16	@	INS-SCED-105	.97								
	1-3/8	076114	INS-SCED-106	.92								
	1-7/16	076115	INS-SCED-107	.86								
35mm	076288	INS-SCED-35M	.44	43.4	19.1	72.000	5.1	46.7	M8x1.25	17.0	26.4	

@ Assembled to order

FEATURES/BENEFITS PAGE B3-2	EASY SELECTION PAGE B3-3	SELECTION PAGE B3-5	ACCESSORIES PAGE B3-41
--------------------------------	-----------------------------	------------------------	---------------------------

Bearing Reference Guide

ULTRA KLEEN

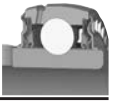
E-Z KLEEN

Extreme Duty

Setscrew Ball Bearing

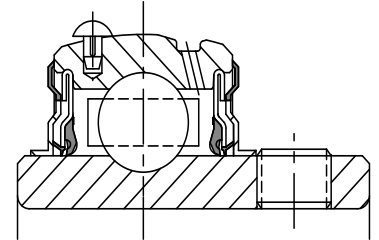
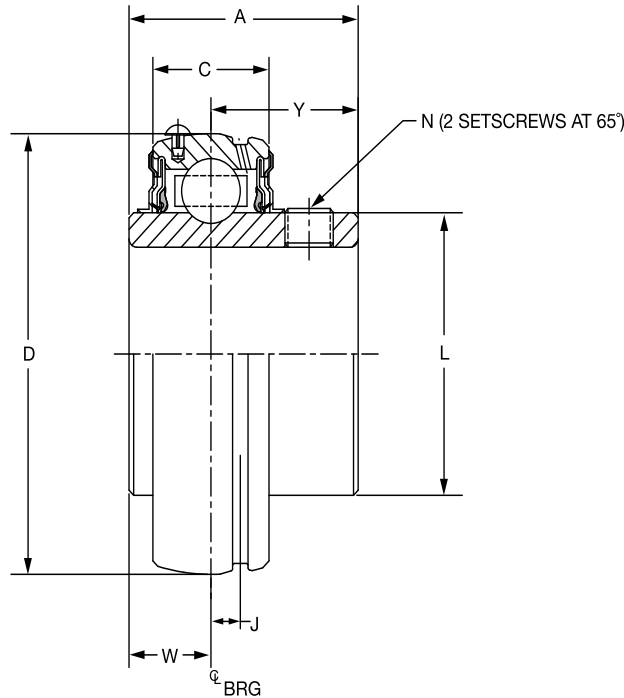
GRIP TIGHT

D-LOK Ball Bearing



SELECTION/DIMENSIONS

Extreme Duty Setscrew Ball Bearings SCED NORMAL DUTY BEARING INSERTS



Bearing Reference Guide

ULTRA KLEEN

E-Z KLEEN

Extreme Duty

Setscrew Ball Bearing

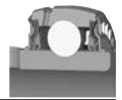
GRIP TIGHT

D-LOK Ball Bearing

Series Size	Shaft	Standard Insert Part No.	Description	Weight Lbs kg	A	C	D	J	L	N	W	Y
208	1-1/2	076116	INS-SCED-108	1.27	1.94	0.87	3.1496	0.22	2.05	5/16-24	0.75	1.19
	1-5/8	@	INS-SCED-110	1.13								
	40mm	076289	INS-SCED-40M	0.51	49.3	22.1	80.000	5.6	52.1	M8x1.25	19.1	30.2
209	1-5/8	@	INS-SCED-110L	1.49	1.94	0.87	3.3465	0.25	2.22	5/16-24	0.75	1.19
	1-11/16	076117	INS-SCED-111	1.43								
	1-3/4	076118	INS-SCED-112	1.36								
	1-13/16	@	INS-SCED-113	1.30								
210	45mm	076290	INS-SCED-45M	0.62	49.3	22.1	85.000	6.4	56.4	M8x1.25	19.1	30.2
	1-15/16	076119	INS-SCED-115	1.48	1.94	0.87	3.5433	0.25	2.43	3/8-24	0.75	1.19
	2	076120	INS-SCED-200	1.39								
211	50mm	076291	INS-SCED-50M	0.67	49.3	22.1	90.000	6.4	61.7	M10x1.5	19.1	30.2
	2	076211	INS-SCMED-200	2.26	2.22	0.94	3.9370	0.25	2.71	3/8-24	0.87	1.35
	2-3/16	076121	INS-SCED-203	1.97								
212	2-1/4	@	INS-SCED-204	1.87								
	55mm	076292	INS-SCED-55M	0.89	56.4	23.9	100.000	6.4	68.8	M10x1.5	22.1	34.3
	2-1/4	@	INS-SCMED-204	2.85	2.31	1.02	4.3307	0.25	2.97	3/8-24	0.90	1.41
214	2-7/16	076122	INS-SCED-207	2.49								
	60mm	076293	INS-SCED-60M	1.13	58.7	25.9	110.000	6.4	75.4	M10x1.5	22.9	35.8
	2-1/2	076214	INS-SCMED-208	4.25	2.54	1.10	4.9213	0.26	3.31	3/8-24	1.06	1.48
215	2-11/16	076123	INS-SCED-211	3.60								
	70mm	076294	INS-SCED-70M	1.63	64.5	27.9	125.000	6.6	84.1	M10x1.5	26.9	37.6
	2-15/16	076124	INS-SCED-215	3.86	2.33	1.14	5.1181	0.28	3.62	3/8-24	0.86	1.47
218	75mm	076295	INS-SCED-75M	1.75	59.2	29.0	130.000	7.1	91.9	M10x1.5	21.8	37.3
	90mm	@	INS-SCED-90M	3.3	65.0	34.0	160.000	7.6	110.5	M10x1.5	24.4	40.6

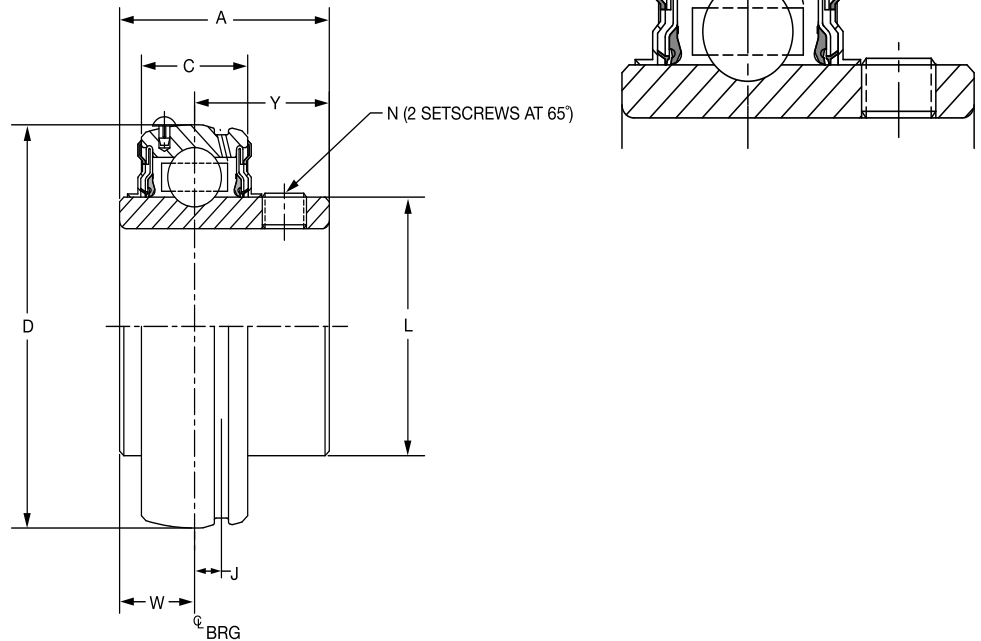
@ Assembled to order. * 20 piece minimum

FEATURES/BENEFITS PAGE B3-2	EASY SELECTION PAGE B3-3	SELECTION PAGE B3-5	ACCESSORIES PAGE B3-41
--------------------------------	-----------------------------	------------------------	---------------------------



SELECTION/DIMENSIONS

Extreme Duty Setscrew Ball Bearings SCMED MEDIUM DUTY BEARING INSERTS



Series	Shaft Size	Standard Insert Part No.	Description	Weight Lbs. kg	A	C	D	J	L	N	W	Y
206	1	076204	INS-SCMED-100	0.71	1.52	0.69	2.4409	0.16	1.57	5/16-24	0.58	0.94
	25mm	076344	INS-SCMED-25M	0.32	38.6	17.5	62.000	4.1	39.9	M8x1.25	14.7	23.9
207	1-3/16	076205	INS-SCMED-103	1.07	1.71	0.75	2.8346	0.20	1.84	5/16-24	0.67	1.04
	1-1/4	076113	INS-SCMED-104	1.02								
	30mm	076287	INS-SCMED-30M	0.53	43.4	19.1	72.000	5.1	46.7	M8x1.25	17.0	26.4
208	1-7/16	076206	INS-SCMED-107	1.32	1.94	0.87	3.1496	0.22	2.05	5/16-24	0.75	1.19
	1-1/2#	076116	INS-SCMED-108	1.27								
	35mm	076346	INS-SCMED-35M	0.60	49.3	22.1	80.000	5.6	52.1	M8x1.25	19.1	30.2
209	1-1/2	076207	INS-SCMED-108	1.62	1.94	0.87	3.3465	0.25	2.22	5/16-24	0.75	1.19
	1-5/8	@	INS-SCMED-110L	1.49								
	40mm	076347	INS-SCMED-40M	0.71	49.3	22.1	85.000	6.4	56.4	M8x1.25	19.1	30.2
210	1-11/16	076208	INS-SCMED-111	1.82	1.94	0.87	3.5433	0.25	2.43	3/8-24	0.75	1.19
	1-3/4	076209	INS-SCMED-112	1.74								
	45mm	076348	INS-SCMED-45M	0.76	49.3	22.1	90.000	6.4	61.7	M10x1.5	19.1	30.2
211	1-15/16	076210	INS-SCMED-115	2.36	2.22	0.94	3.9370	0.25	2.71	3/8-24	0.87	1.35
	2	076211	INS-SCMED-200	2.26								
	50mm	076349	INS-SCMED-50M	1.03	56.4	23.9	100.000	6.4	68.8	M10x1.5	22.1	34.3
212	2-3/16	076212	INS-SCMED-203	2.97	2.31	1.02	4.3307	0.25	2.97	3/8-24	0.90	1.41
	2-1/4	@	INS-SCMED-204	2.85								
	55mm	076350	INS-SCMED-55M	1.27	58.7	25.9	110.000	6.4	75.4	M10x1.5	22.9	35.8
214	2-7/16	076213	INS-SCMED-207	4.39	2.54	1.10	4.9213	0.26	3.31	3/8-24	1.06	1.48
	2-1/2	076214	INS-SCMED-208	4.25								
	60mm	076351	INS-SCMED-65M	1.86	64.5	27.9	125.000	6.6	84.1	M10x1.5	26.9	37.6
215	2-11/16	076215	INS-SCMED-211	4.49	2.33	1.14	5.1181	0.28	3.62	3/8-24	0.86	1.47
	70mm	076352	INS-SCMED-70M	1.98	59.2	29.0	130.000	7.1	91.9	M10x1.5	21.8	37.3
216	2-15/16	076216	INS-SCMED-215	5.54	2.38	1.18	5.5118	0.29	3.83	3/8-24	0.88	1.50
	3	076217	INS-SCMED-300	5.52								
	75mm	076353	INS-SCMED-75M	2.51	60.5	30.0	140.000	7.4	97.3	M10x1.5	22.4	38.1
218	3-7/16	076218	INS-SCMED-307	7.35	2.56	1.34	6.2992	0.30	4.35	3/8-24	0.96	1.60
	3-1/2	076219	INS-SCMED-308	7.33								
	85mm	076354	INS-SCMED-85M	3.33	65.0	34.0	160.000	7.6	110.5	M10x1.5	24.4	40.6

@ Assembled to order

SCM Piloted Flange Only

FEATURES/BENEFITS PAGE B3-2	EASY SELECTION PAGE B3-3	SELECTION PAGE B3-5	ACCESSORIES PAGE B3-41
--------------------------------	-----------------------------	------------------------	---------------------------

Bearing Reference Guide

ULTRA KLEEN

E-Z KLEEN

Extreme Duty

Setscrew Ball Bearing

GRIP TIGHT

D-LOK Ball Bearing